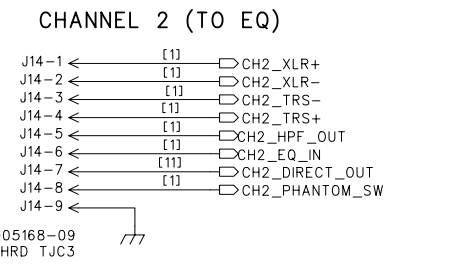
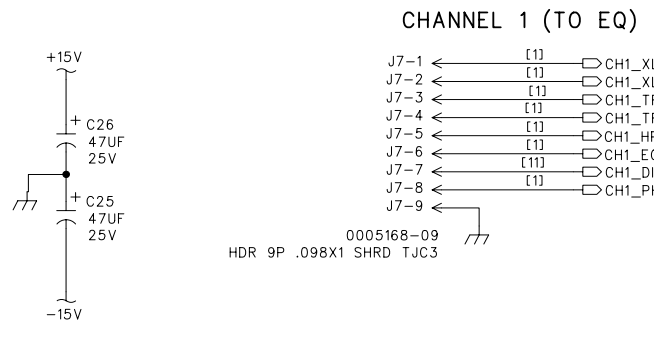
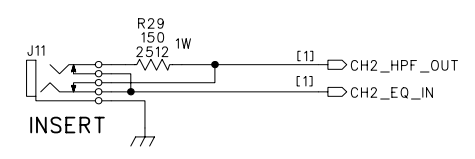
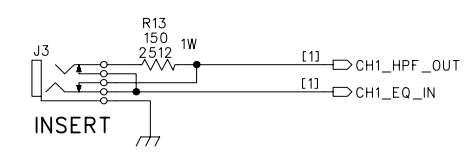
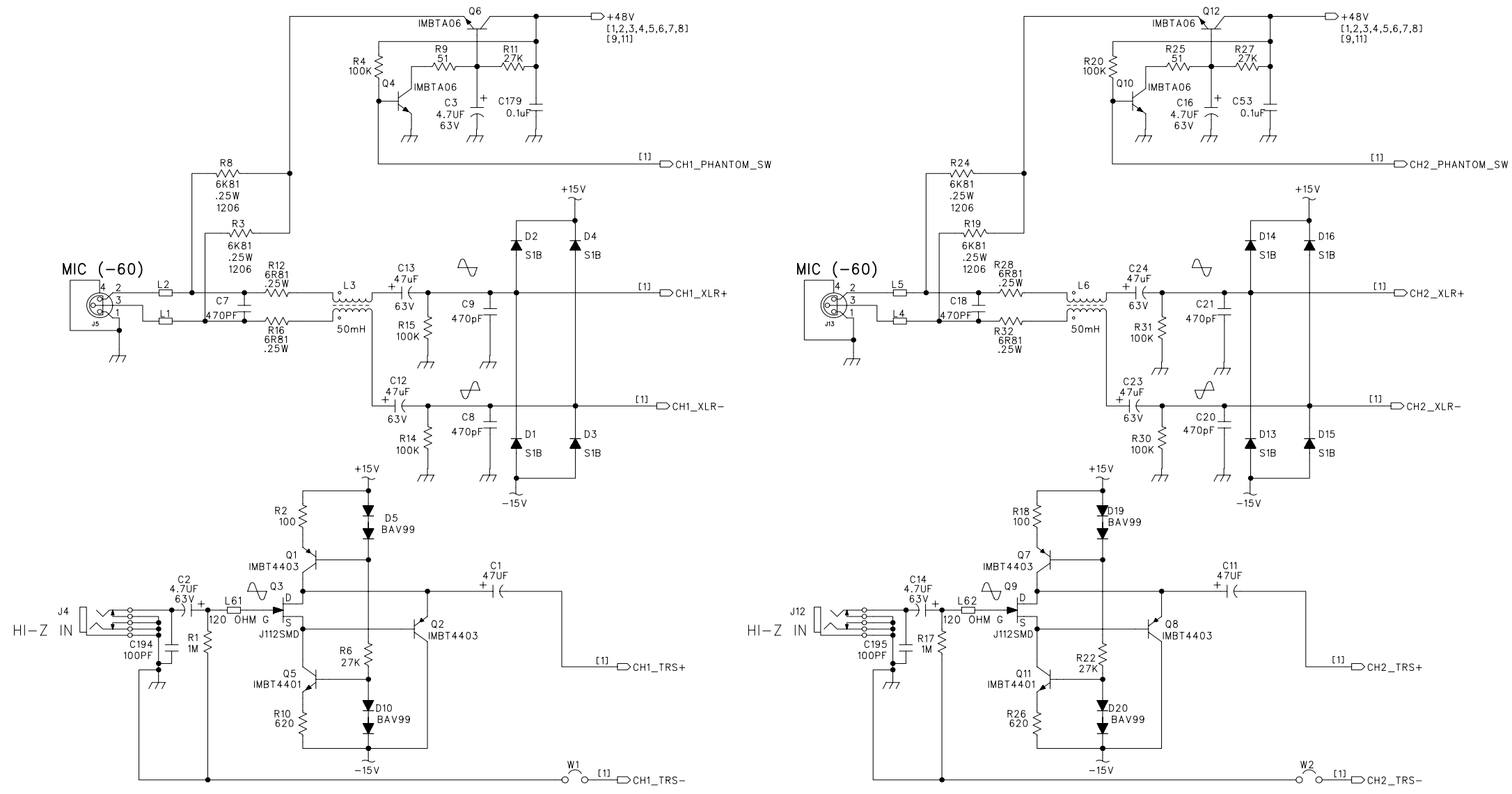


ECO#	REV:	DESCRIPTION	REV. BY:	DATE
6958	A00	RELEASE TO PRODUCTION	CDJ	4-6-04
7174	A01	CHANGED RESISTOR VALUES IN CHANNEL PHTM CKT	DB	6-23-04
7182	B00	MOD HI-Z CIRCUIT, UPDATE PCB FOOTPRINTS	KR	6-28-04
7320	C00	MOVE HI-Z PAD TO EQ PCB	DB	8-26-04




- CHANNEL 1 (TO EQ)**
- J7-1 ← [1] CH1_XLR+
 - J7-2 ← [1] CH1_XLR-
 - J7-3 ← [1] CH1_TRS-
 - J7-4 ← [1] CH1_TRS+
 - J7-5 ← [1] CH1_HPF_OUT
 - J7-6 ← [1] CH1_EQ_IN
 - J7-7 ← [1] CH1_DIRECT_OUT
 - J7-8 ← [1] CH1_PHANTOM_SW
 - J7-9 ←

- CHANNEL 2 (TO EQ)**
- J14-1 ← [1] CH2_XLR+
 - J14-2 ← [1] CH2_XLR-
 - J14-3 ← [1] CH2_TRS-
 - J14-4 ← [1] CH2_TRS+
 - J14-5 ← [1] CH2_HPF_OUT
 - J14-6 ← [1] CH2_EQ_IN
 - J14-7 ← [1] CH2_DIRECT_OUT
 - J14-8 ← [1] CH2_PHANTOM_SW
 - J14-9 ←

NOTE: ALL SOLDER SIDE COMPONENTS BEGIN WITH REFERENCE DESIGNATOR # 500.

APPROVALS		DATE
DRAWN:	TH	7/28/03
CHECKED:		
NP ENG:		
MATERIAL:		
MFG:		
MFG ENG:		
ISSUED:		



Mackie Designs Inc. Woodinville, Wa.

**SCHEMATIC, ONYX 1640
POD, CH1 CH2 INPUTS**

SIZE: D	SCALE: NONE	DWG. NO.: 0007959-00	REV. C00
DWG FILE:		SHEET 1 OF 11	

©2004 MACKIE DESIGNS INC.
ALL RIGHTS RESERVED
THE INFORMATION CONTAINED HEREIN
IS PROPRIETARY AND CONFIDENTIAL
PROPERTY OF MACKIE DESIGNS INC.

D

D

C

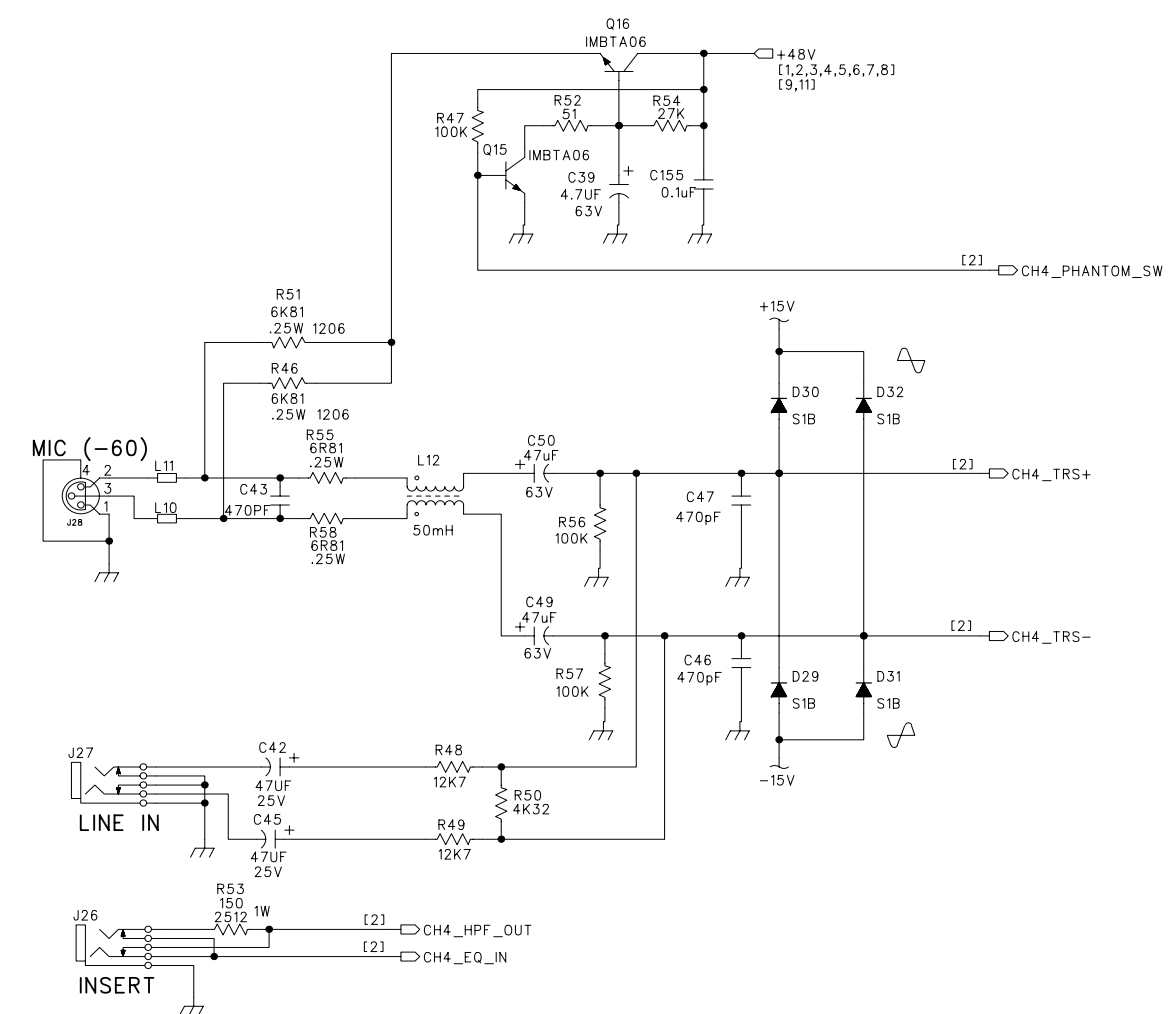
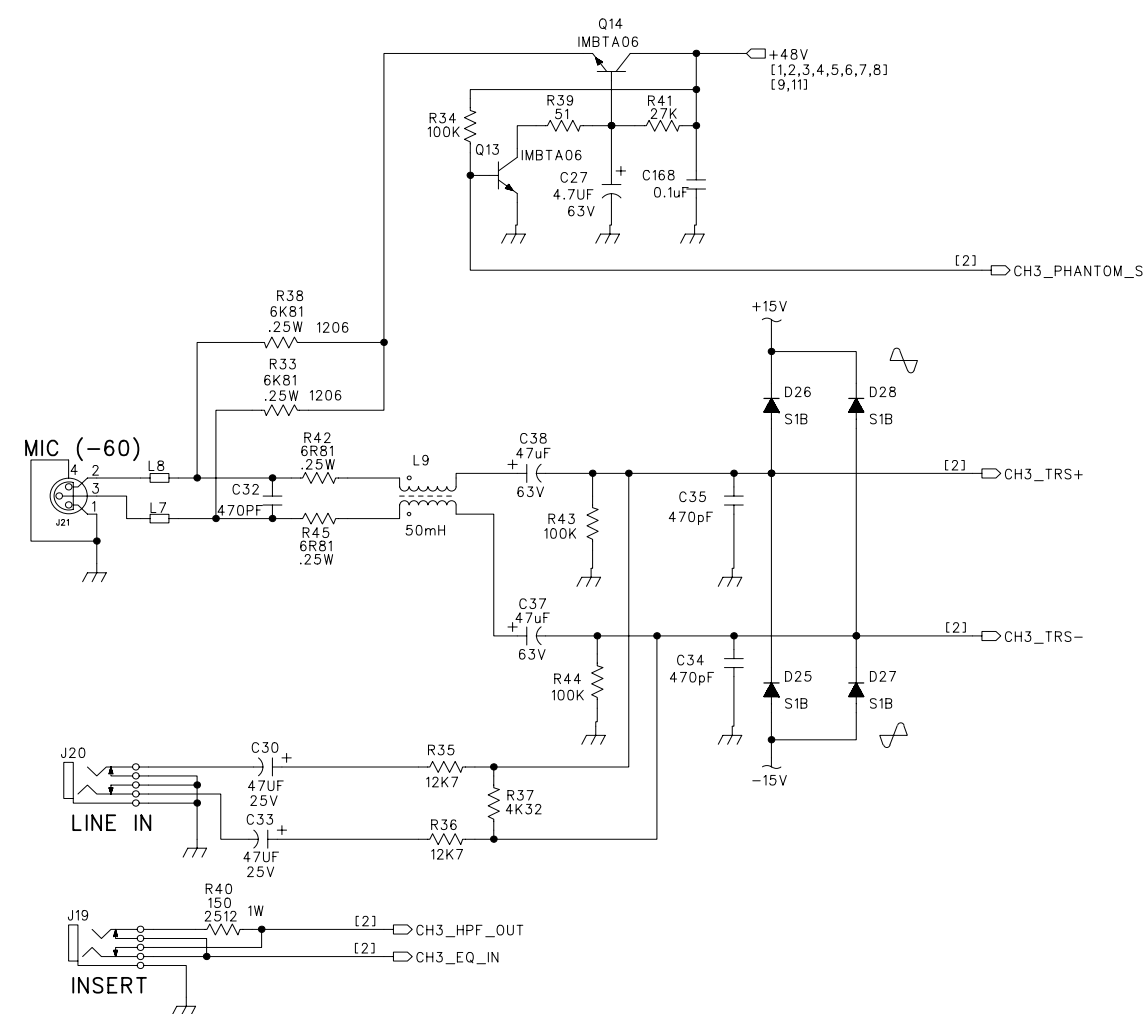
C

B

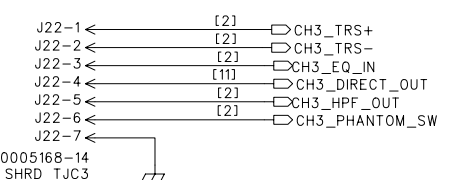
B

A

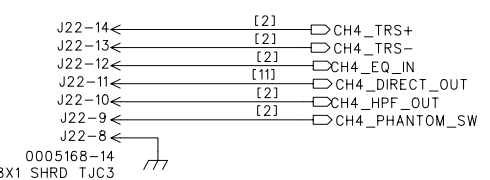
A



CHANNEL 3 (TO EQ)



CHANNEL 4 (TO EQ)



MACKIE
Mackie Designs Inc. Woodinville, Wa.

**SCHEMATIC, ONYX 1640
POD, CH3 CH4 INPUT**

SIZE: D	SCALE: NONE	DWG. NO.: 0007959-00	REV.: C00
DWG FILE:		SHEET 2 OF 11	

D

D

C

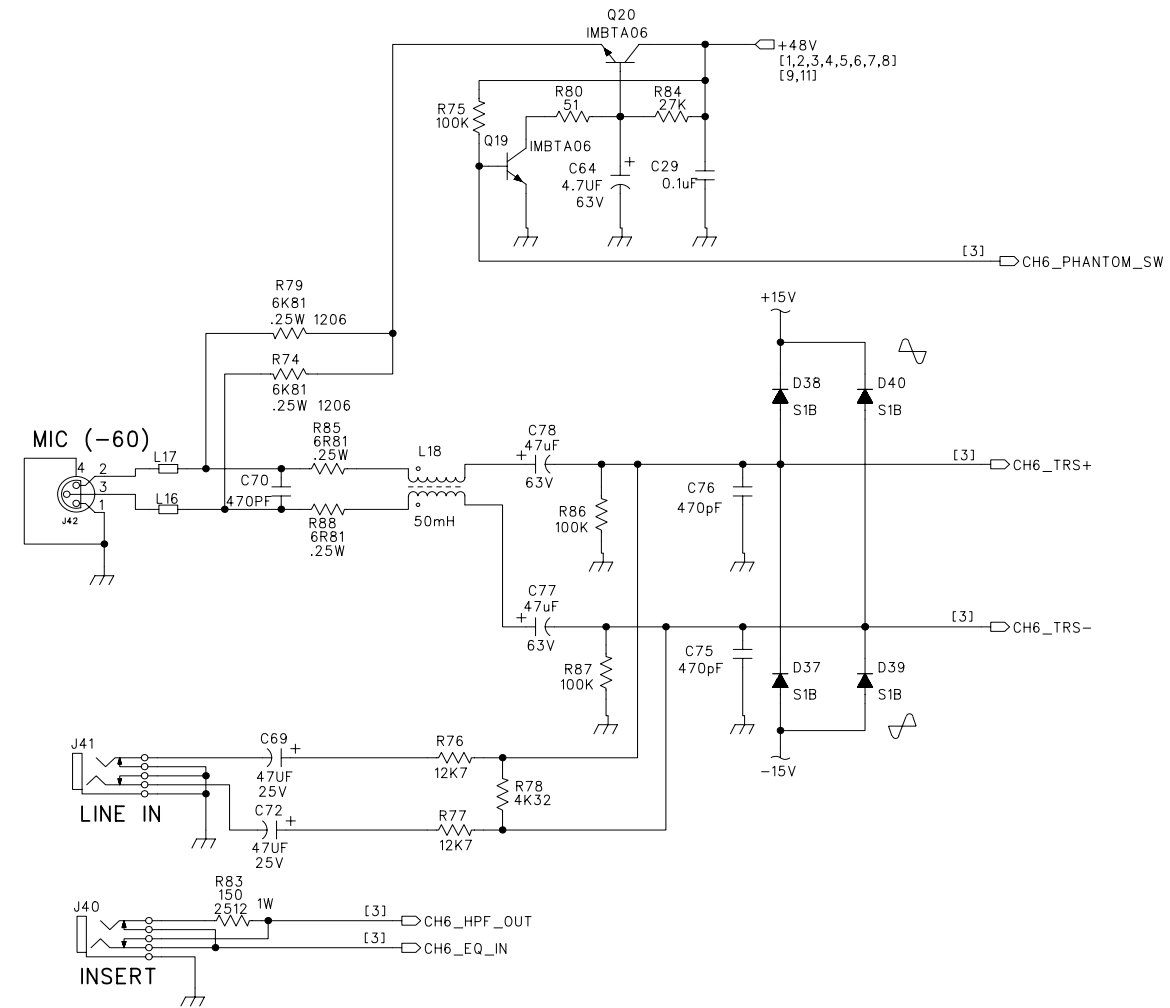
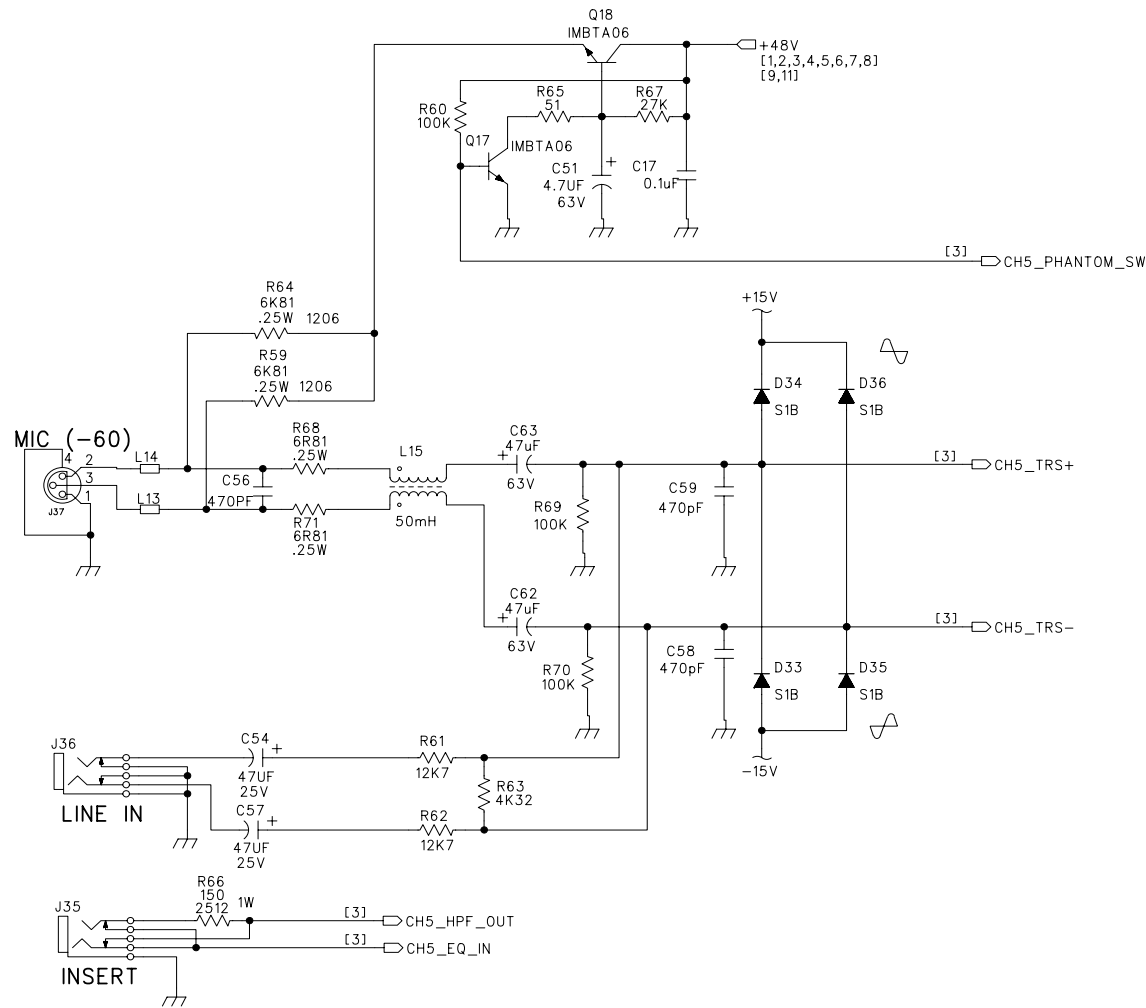
C

B

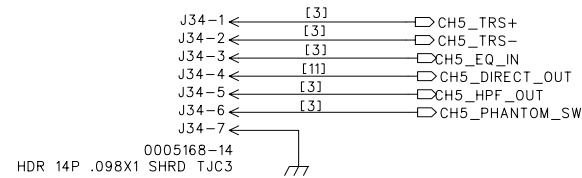
B

A

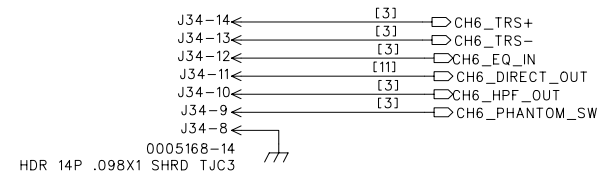
A



CHANNEL 5 (TO EQ)



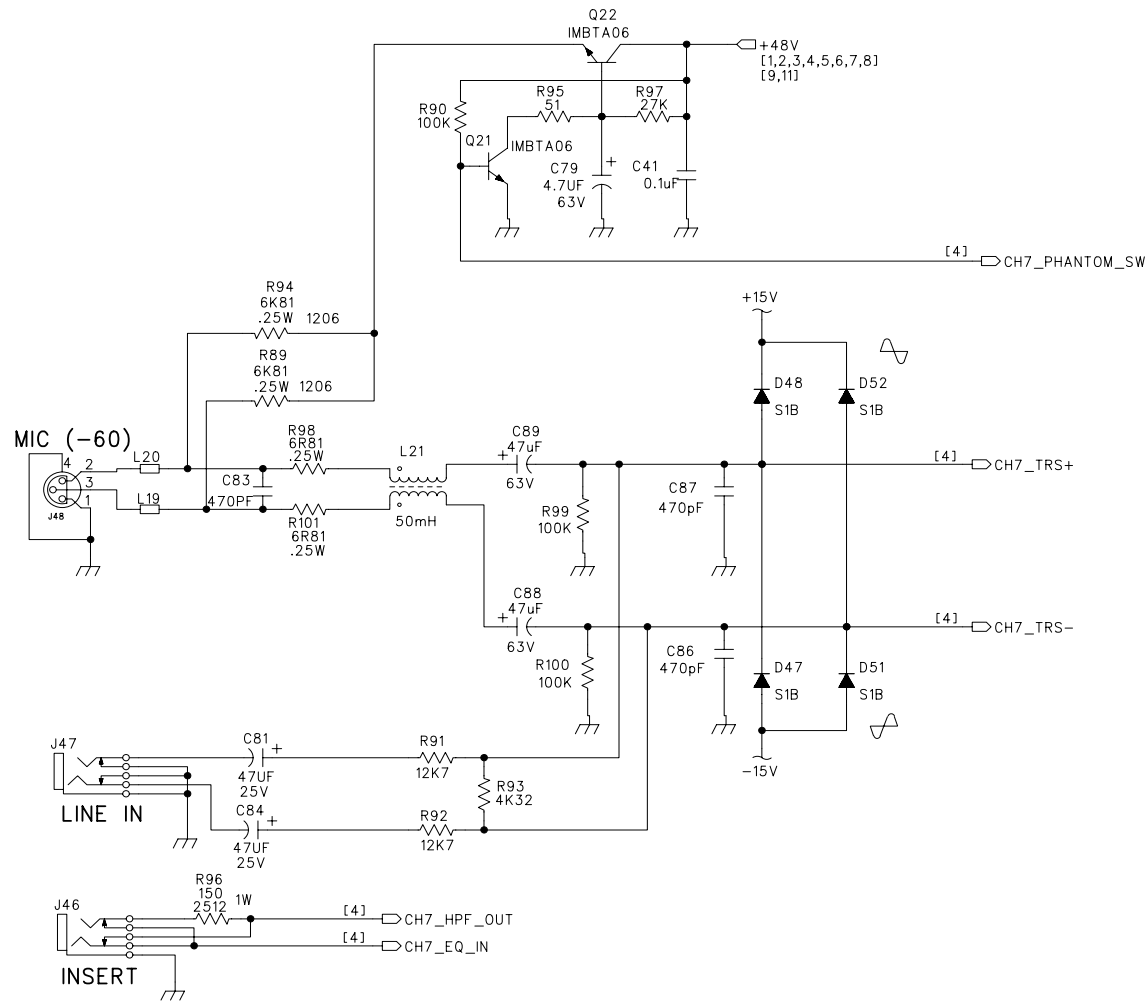
CHANNEL 6 (TO EQ)



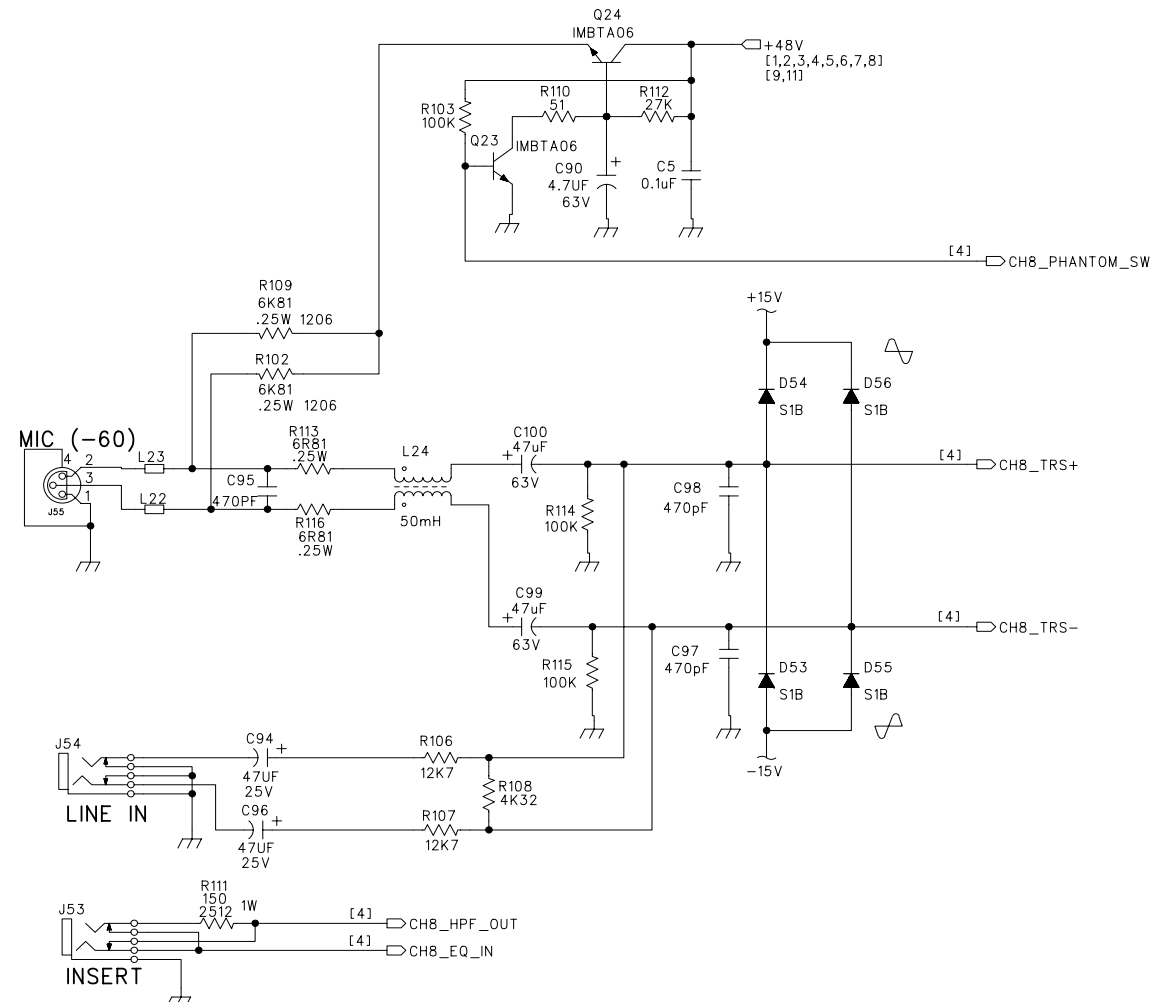
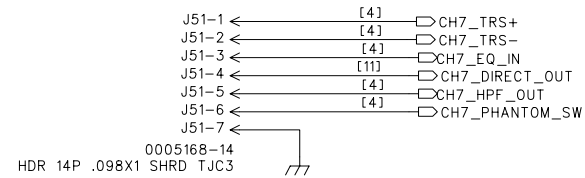
MACKIE
Mackie Designs Inc. Woodinville, Wa.

SCHMATIC, ONYX 1640
POD, CH5 CH6 INPUT

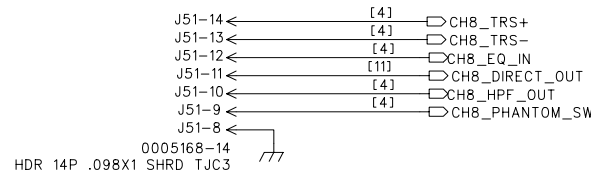
SIZE: D	SCALE: NONE	DWG. NO.: 0007959-00	REV.: C00
DWG FILE:		SHEET 3 OF 11	



CHANNEL 7 (TO EQ)

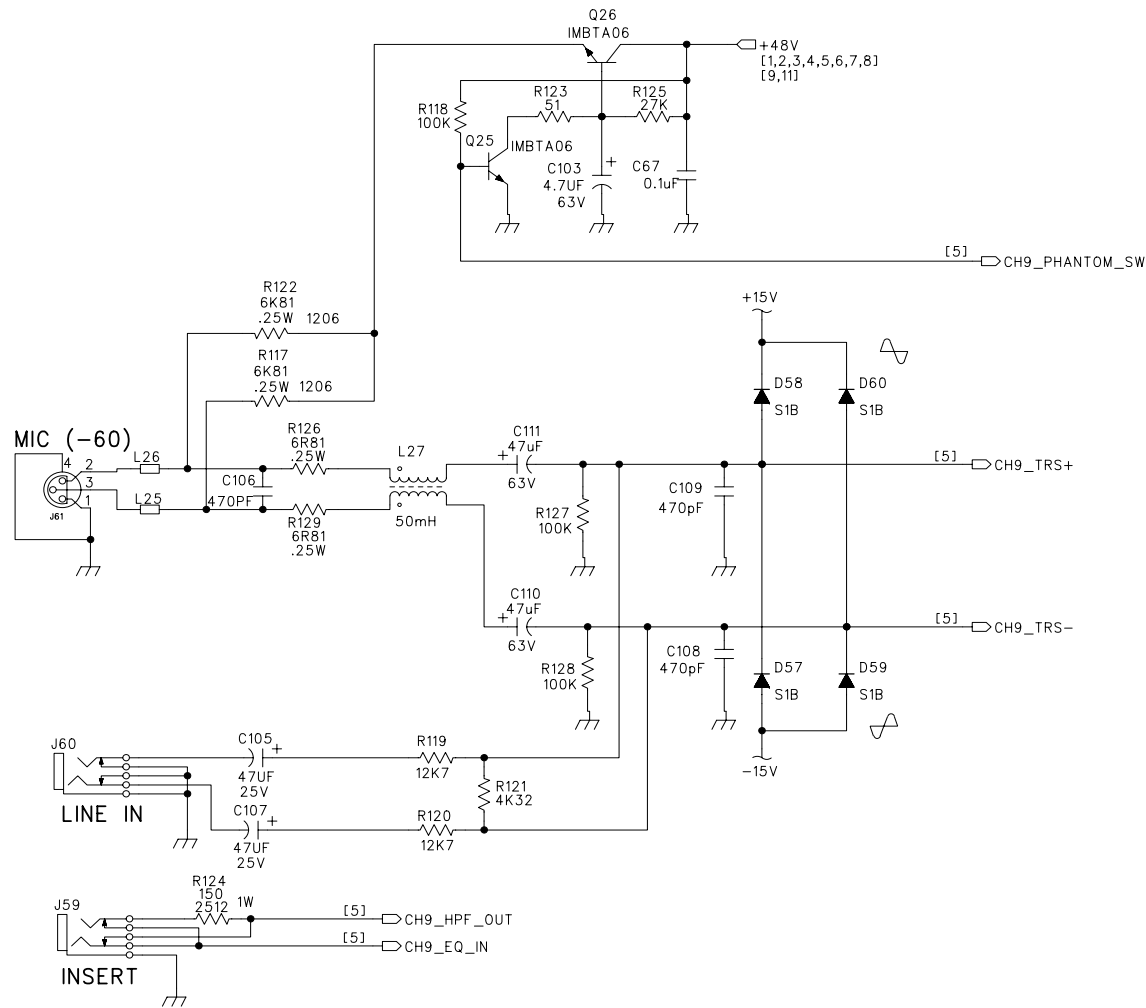


CHANNEL 8 (TO EQ)

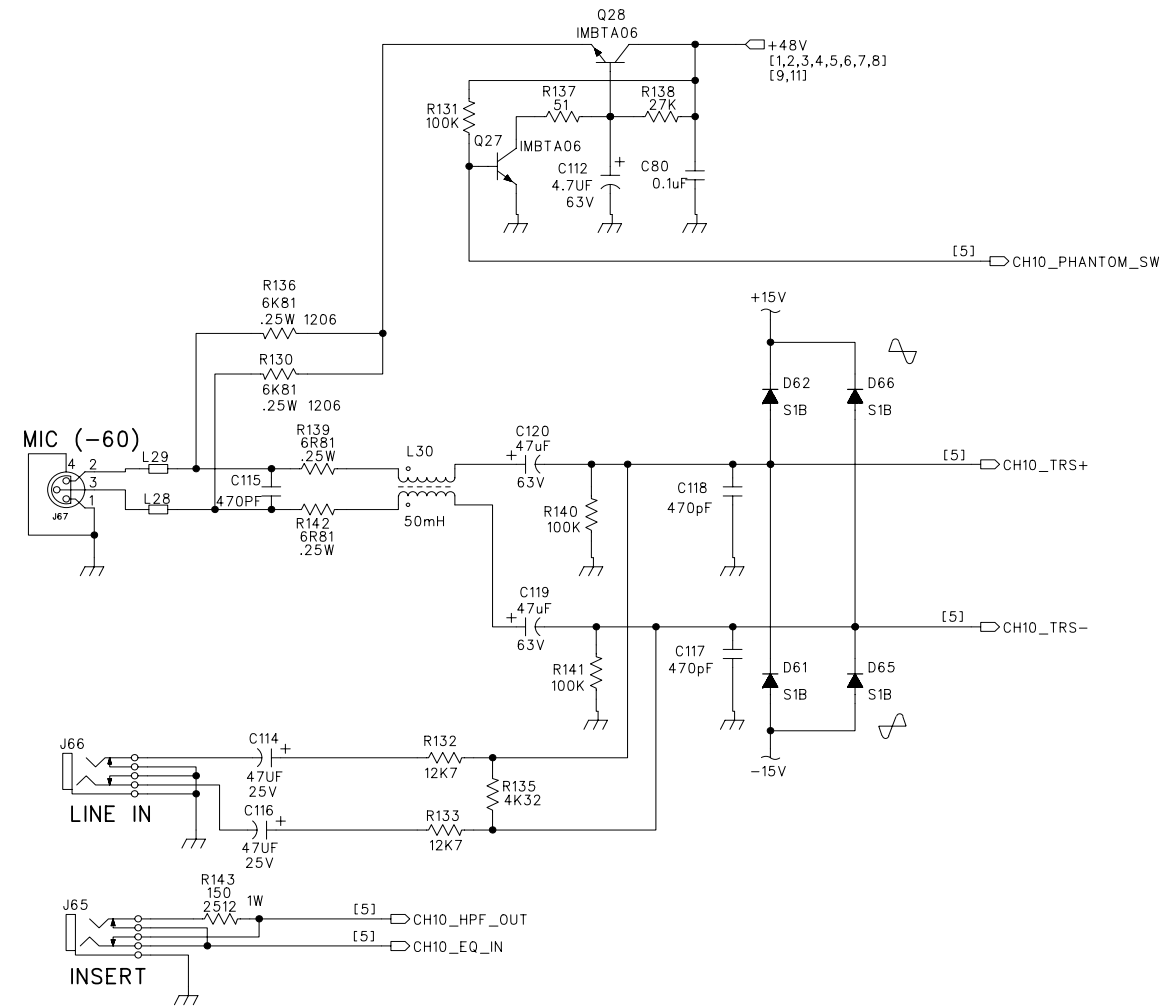
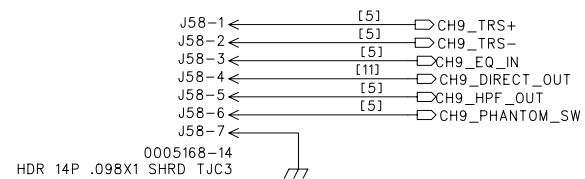


SCHEMATIC, ONYX 1640
POD, CH7 CH8 INPUT

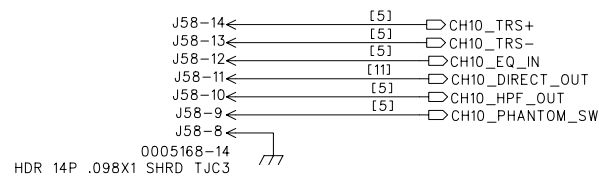
SIZE D	SCALE: NONE	DWG. NO. 0007959-00	REV. C00
DWG FILE:		SHEET 4 OF 11	



CHANNEL 9 (TO EQ)



CHANNEL 10 (TO EQ)



SCHMATIC, ONYX 1640
 POD, CH9 CH10 INPUT

SIZE D	SCALE NONE	DWG. NO. 0007959-00	REV. C00
DWG FILE:		SHEET 5 OF 11	

D

D

C

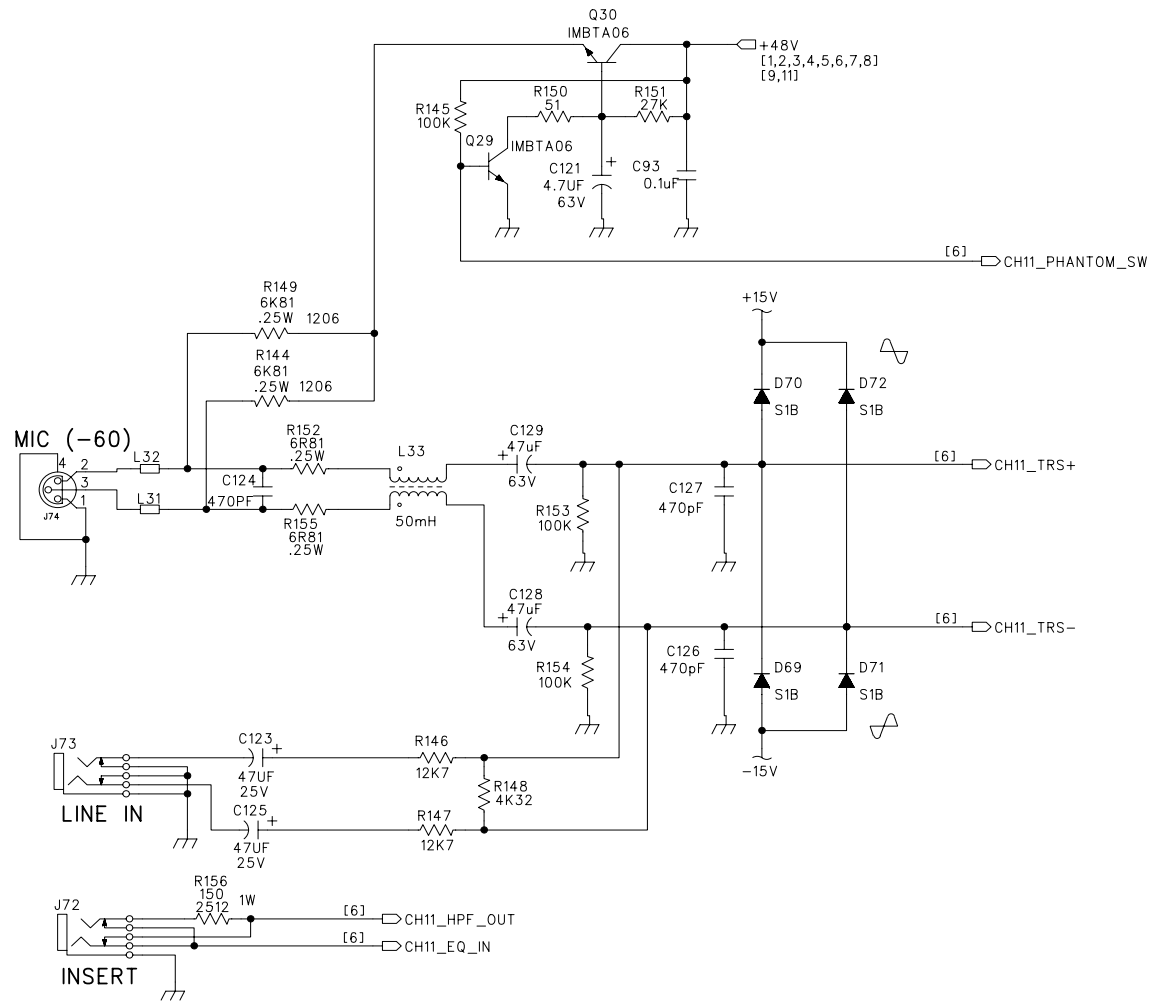
C

B

B

A

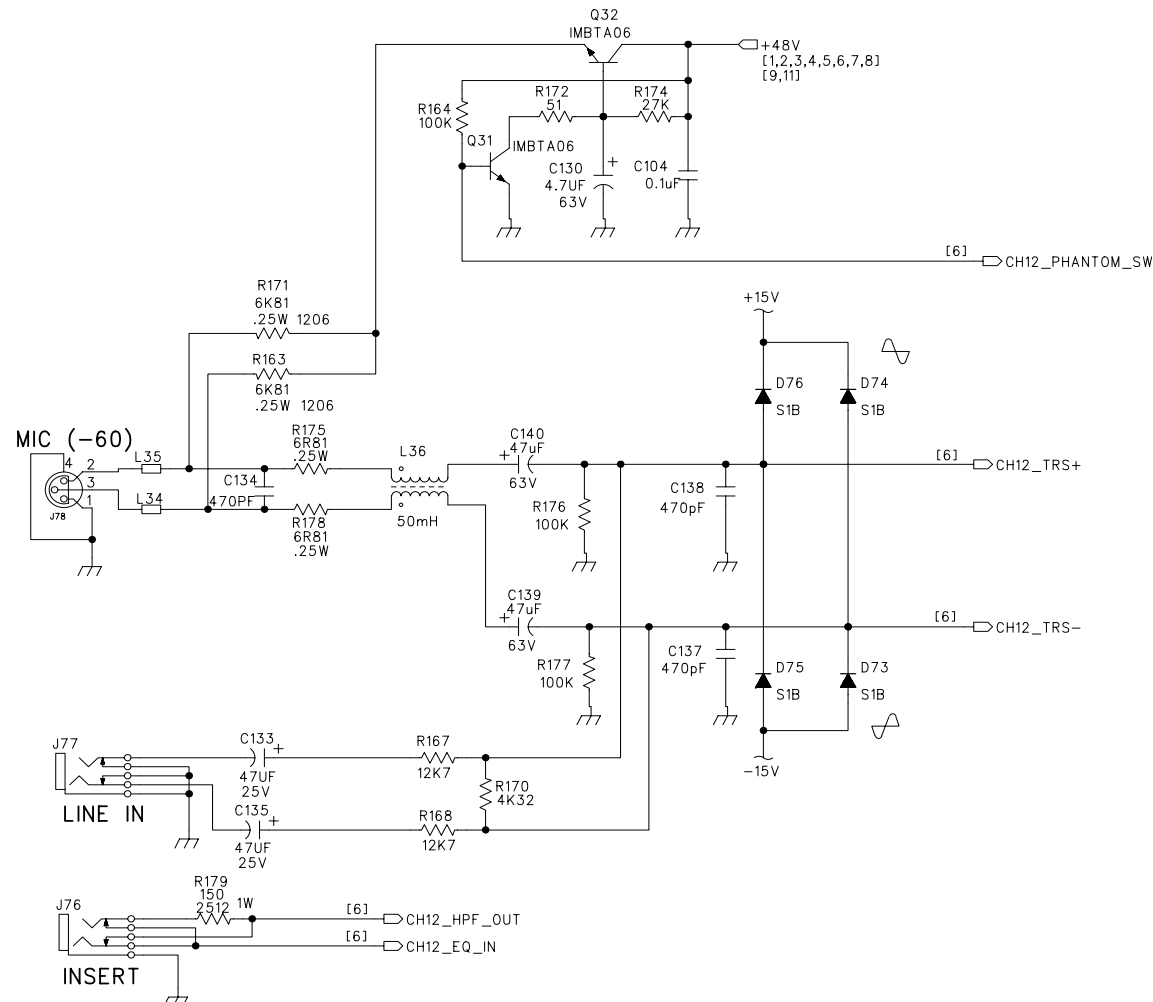
A



CHANNEL 11 (TO EQ)

- J69-1 ← [6] CH11_TRS+
- J69-2 ← [6] CH11_TRS-
- J69-3 ← [6] CH11_EQ_IN
- J69-4 ← [11] CH11_DIRECT_OUT
- J69-5 ← [6] CH11_HPF_OUT
- J69-6 ← [6] CH11_PHANTOM_SW
- J69-7 ←

0005168-14
HDR 14P .098X1 SHRD TJC3



CHANNEL 12 (TO EQ)

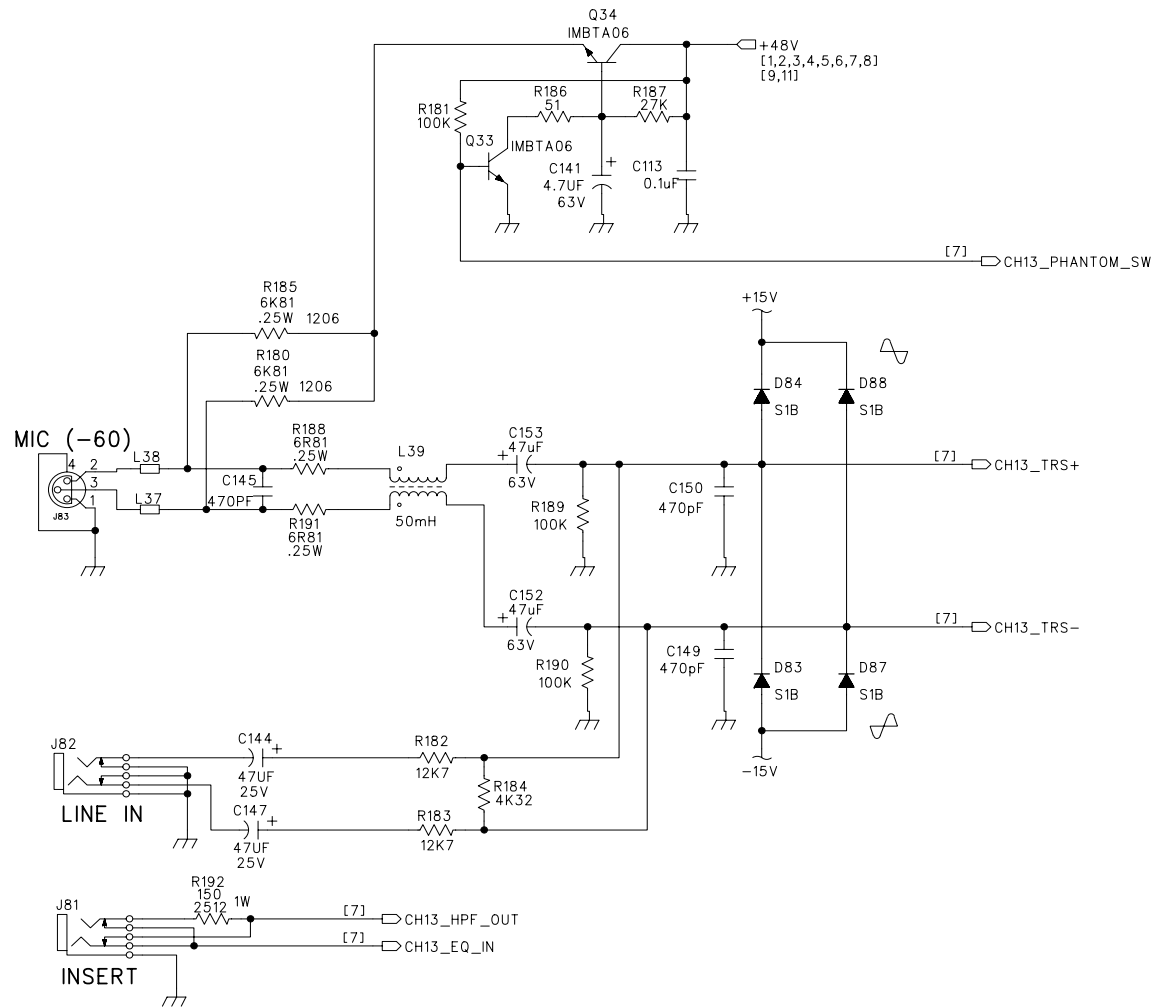
- J69-14 ← [6] CH12_TRS+
- J69-13 ← [6] CH12_TRS-
- J69-12 ← [6] CH12_EQ_IN
- J69-11 ← [11] CH12_DIRECT_OUT
- J69-10 ← [6] CH12_HPF_OUT
- J69-9 ← [6] CH12_PHANTOM_SW
- J69-8 ←

0005168-14
HDR 14P .098X1 SHRD TJC3

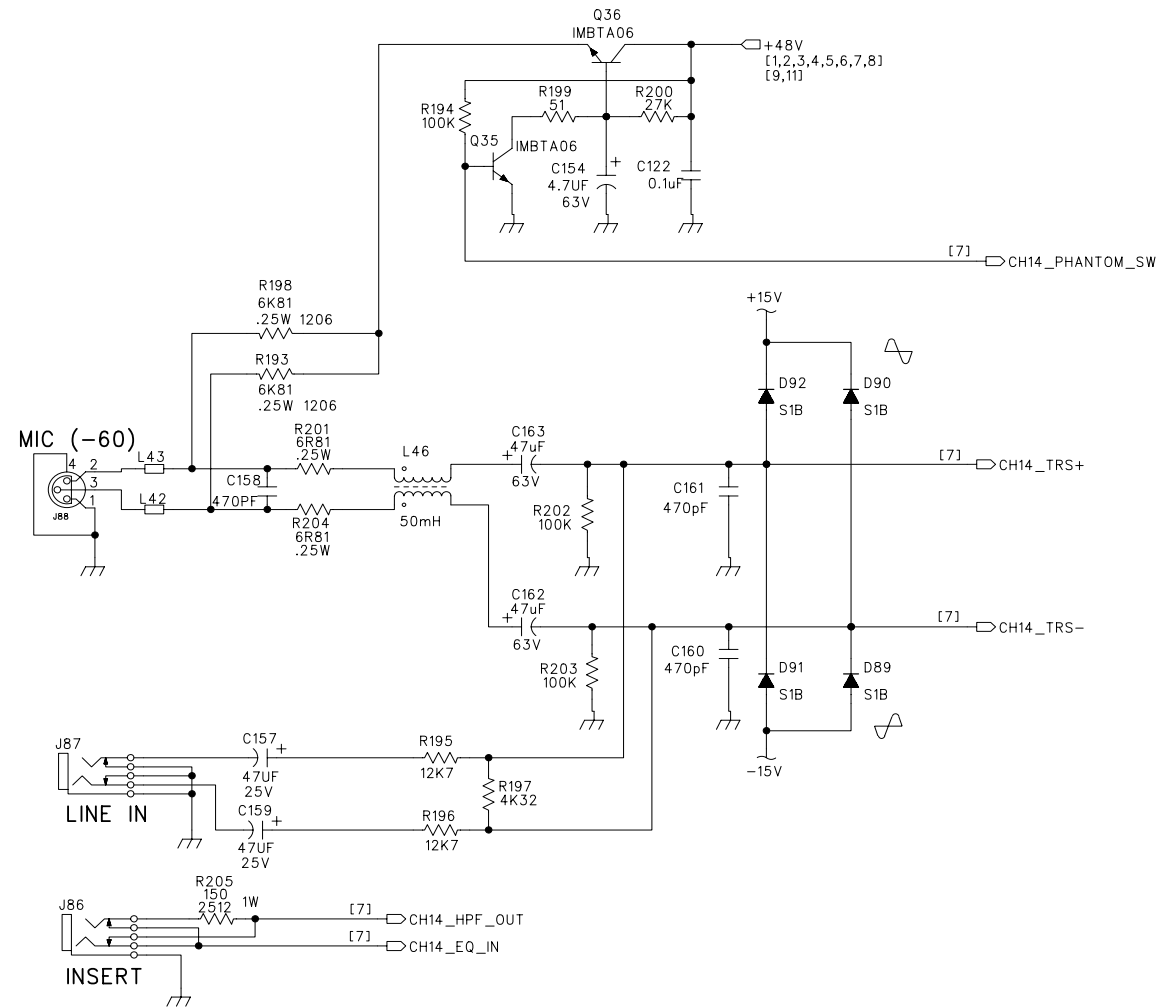
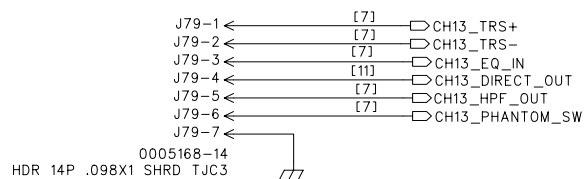
MACKIE
Mackie Designs Inc. Woodinville, Wa.

SCHEMATIC, ONYX 1640
POD, CH11 CH12 INPUT

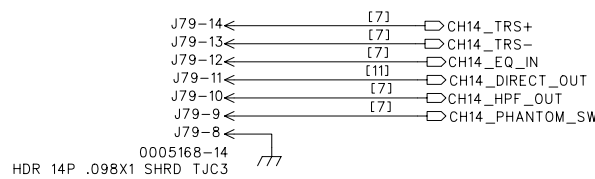
SIZE D	SCALE NONE	DWG. NO. 0007959-00	REV. C00
DWG FILE:		SHEET 6 OF 11	



CHANNEL 13 (TO EQ)

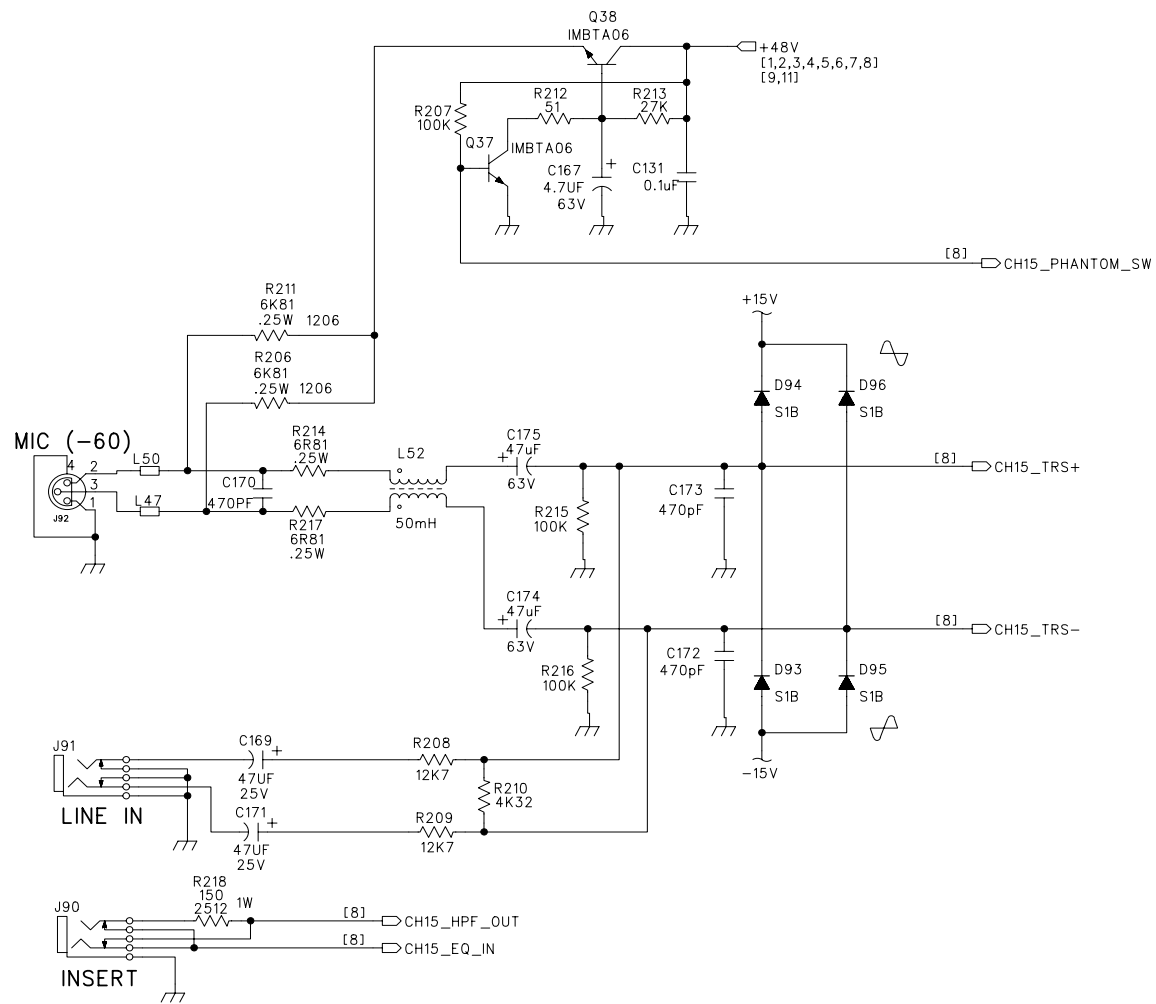


CHANNEL 14 (TO EQ)



SCHMATIC, ONYX 1640
 POD, CH13 CH14 INPUT

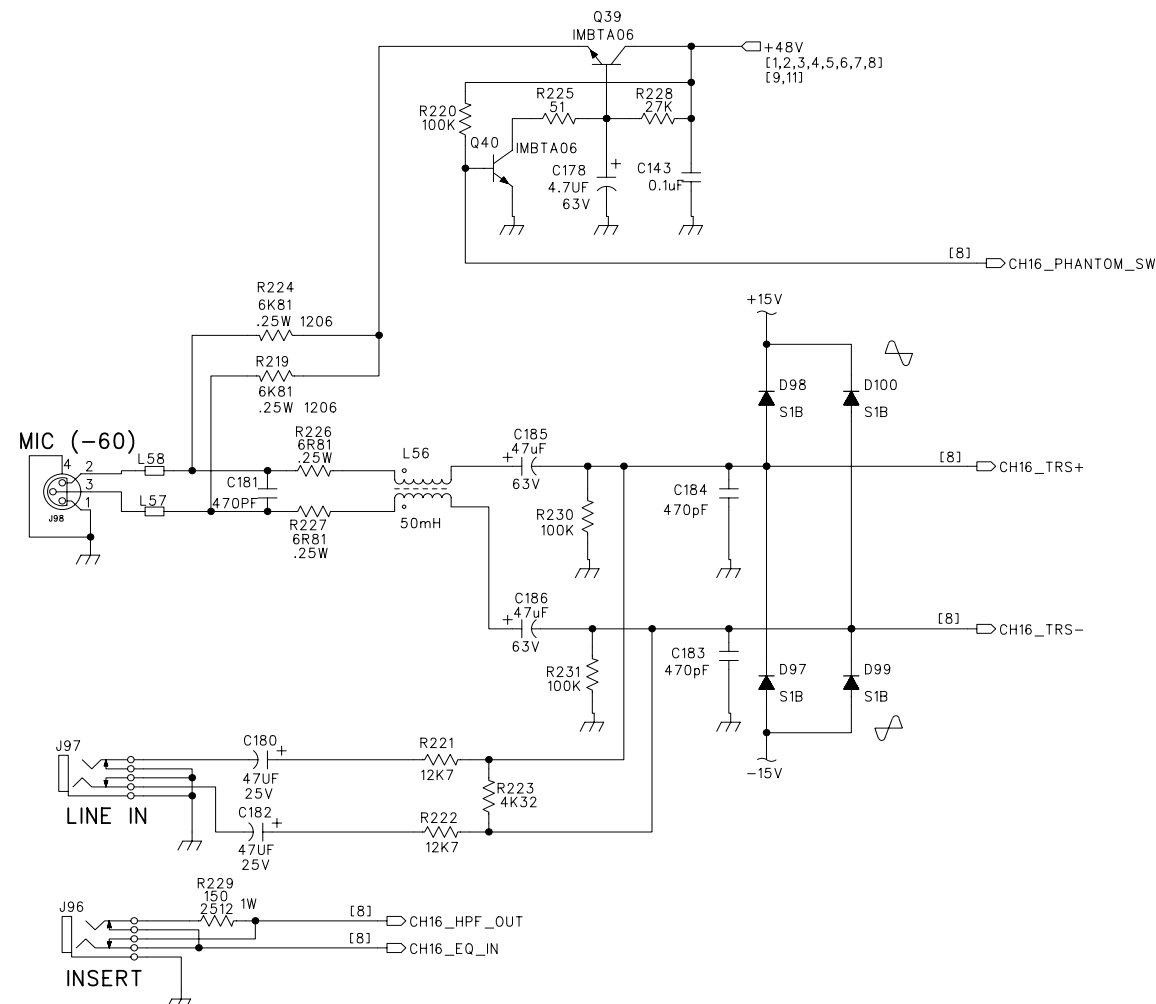
SIZE D	SCALE NONE	DWG. NO. 0007959-00	REV. C00
DWG FILE:		SHEET 7 OF 11	



CHANNEL 15 (TO EQ)

- J85-1 ← [8] CH15_TRS+
- J85-2 ← [8] CH15_TRS-
- J85-3 ← [11] CH15_EQ_IN
- J85-4 ← [8] CH15_DIRECT_OUT
- J85-5 ← [8] CH15_HP_F_OUT
- J85-6 ← [8] CH15_PHANTOM_SW
- J85-7 ← [8] GND

0005168-14
HDR 14P .098X1 SHRD TJC3



CHANNEL 16 (TO EQ)

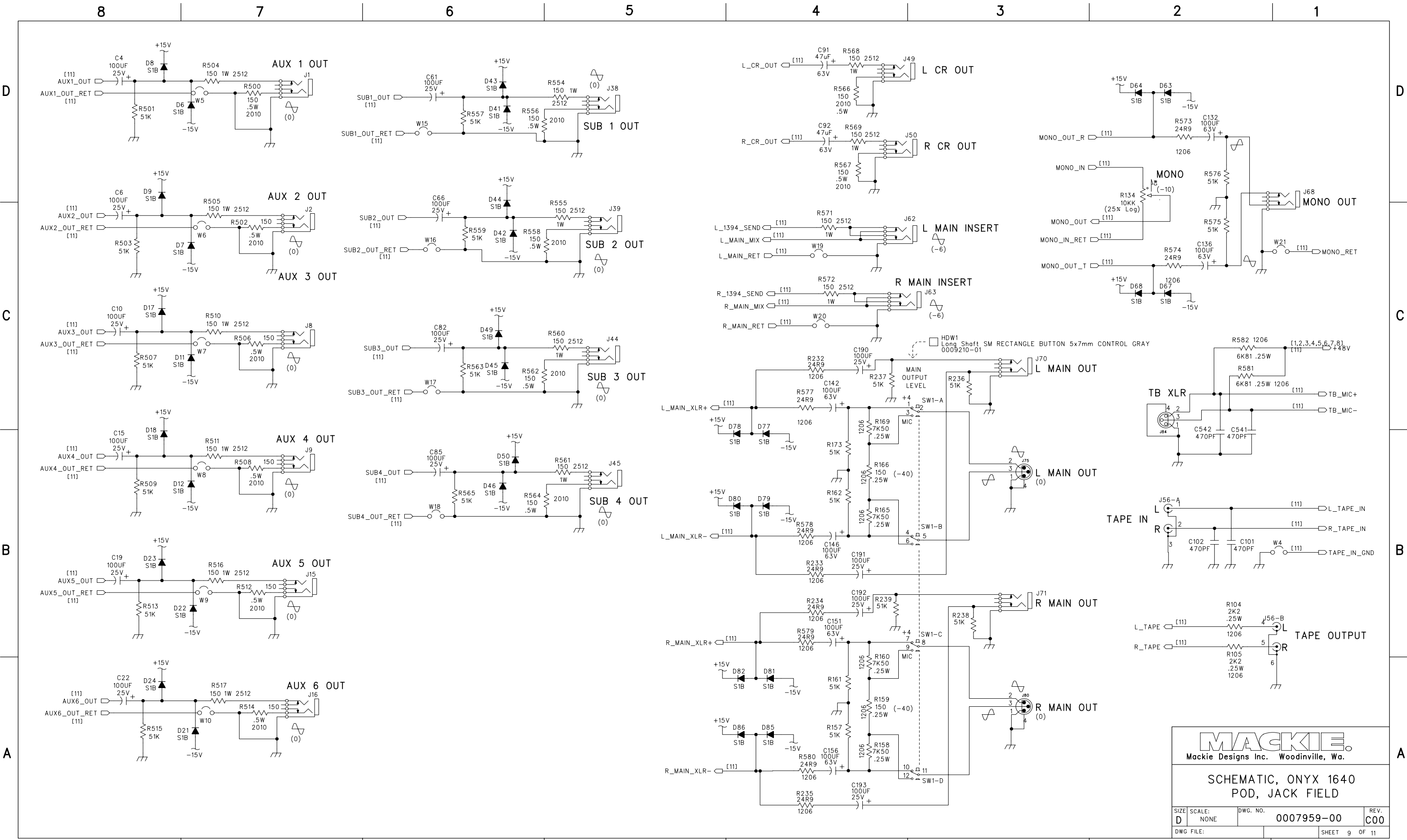
- J85-14 ← [8] CH16_TRS+
- J85-13 ← [8] CH16_TRS-
- J85-12 ← [8] CH16_EQ_IN
- J85-11 ← [11] CH16_DIRECT_OUT
- J85-10 ← [8] CH16_HP_F_OUT
- J85-9 ← [8] CH16_PHANTOM_SW
- J85-8 ← [8] GND

0005168-14
HDR 14P .098X1 SHRD TJC3

MACKIE
Mackie Designs Inc. Woodinville, Wa.

SCHMATIC, ONYX 1640
POD, CH15 CH16 INPUT

SIZE D	SCALE NONE	DWG. NO. 0007959-00	REV. C00
DWG FILE:		SHEET 8 OF 11	



MACKIE
Mackie Designs Inc. Woodinville, Wa.

SCHEMATIC, ONYX 1640
POD, JACK FIELD

SIZE: D	SCALE: NONE	DWG. NO.: 0007959-00	REV.: C00
DWG FILE:			SHEET 9 OF 11

D

C

B

A

D

C

B

A

8

7

6

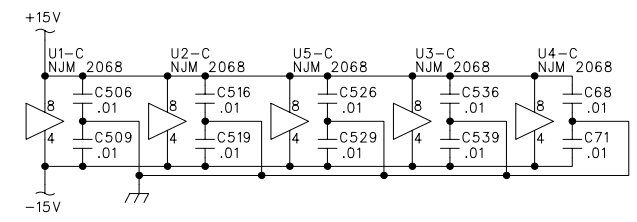
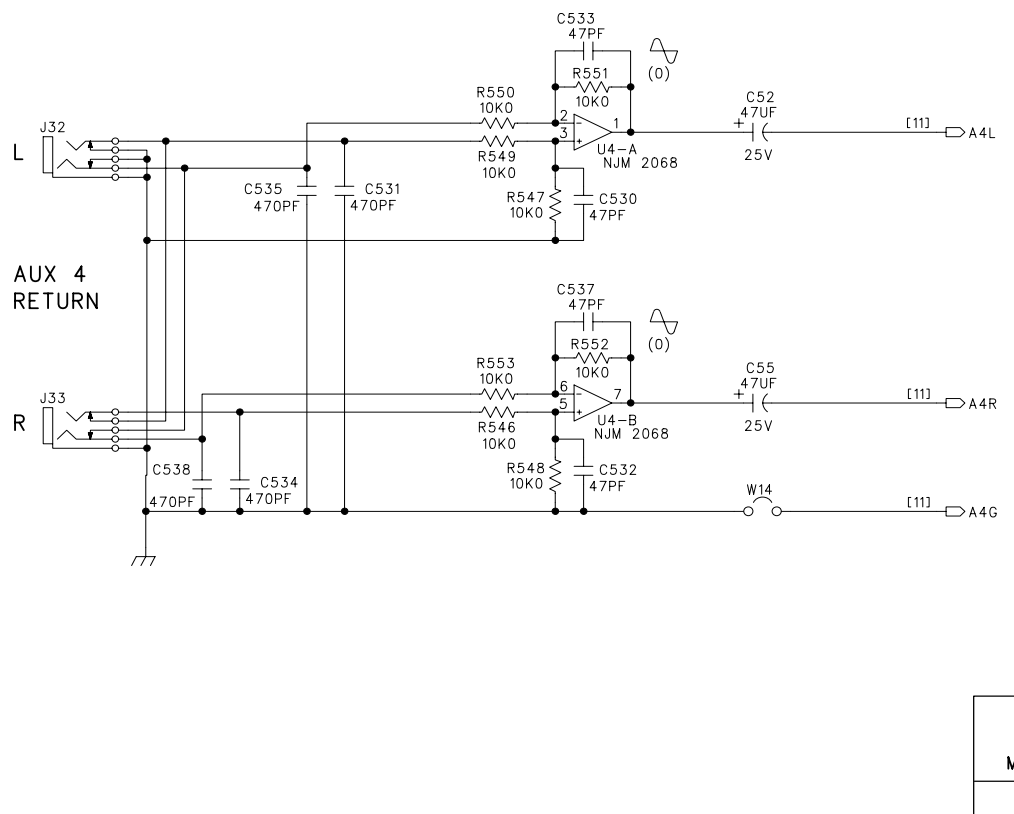
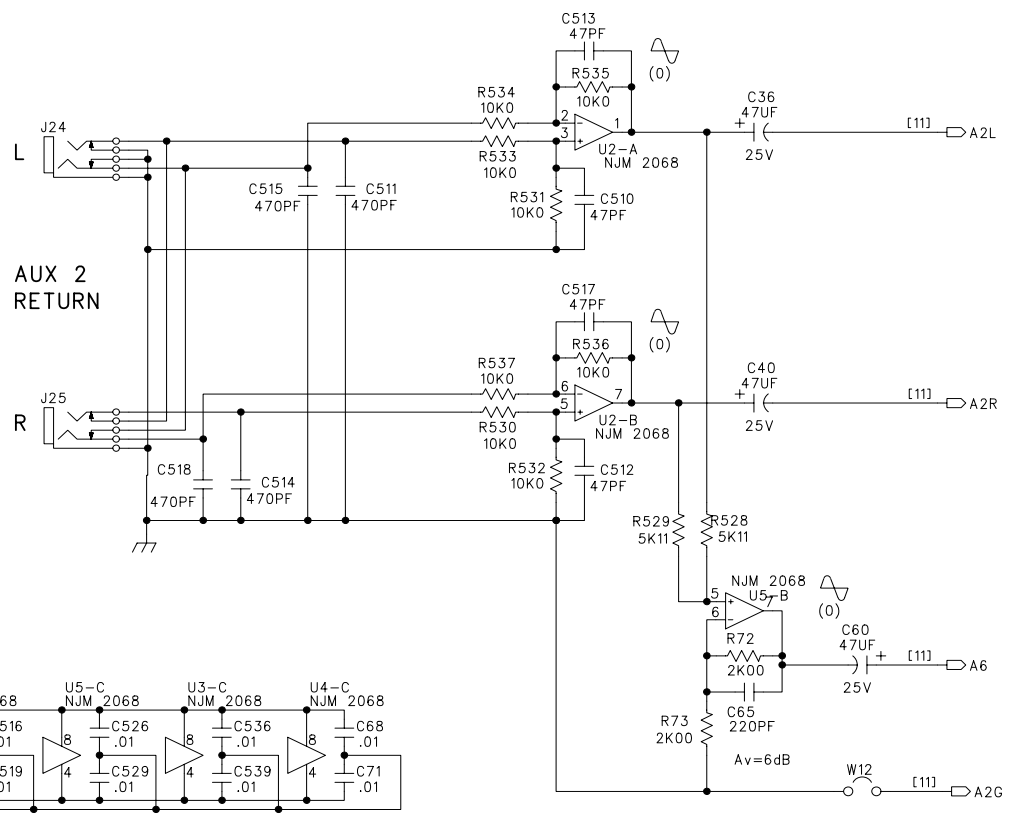
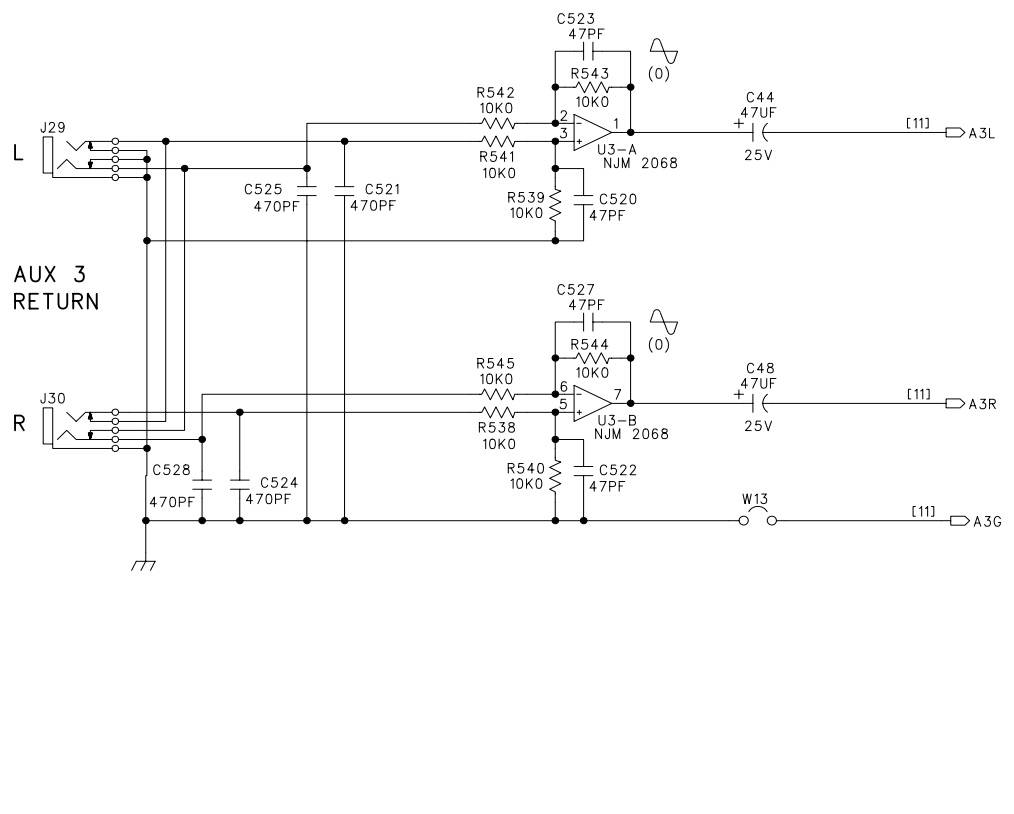
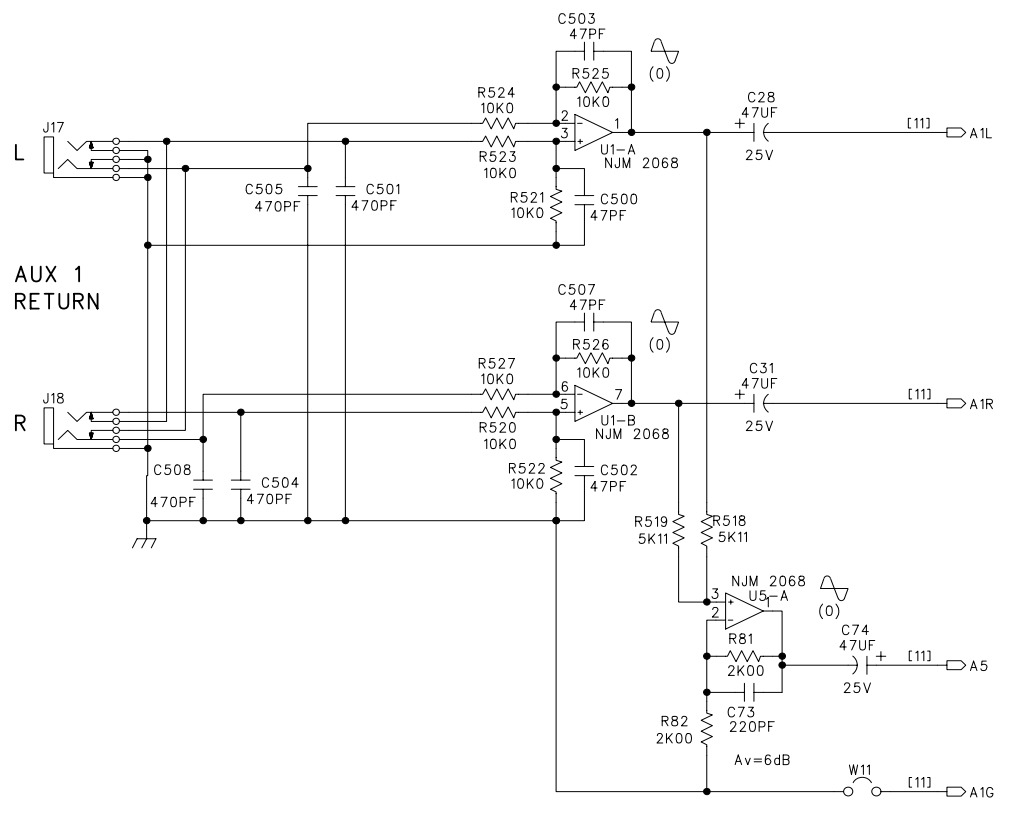
5

4

3

2

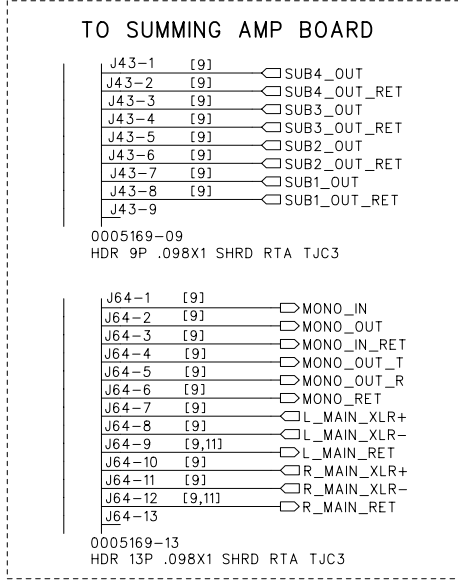
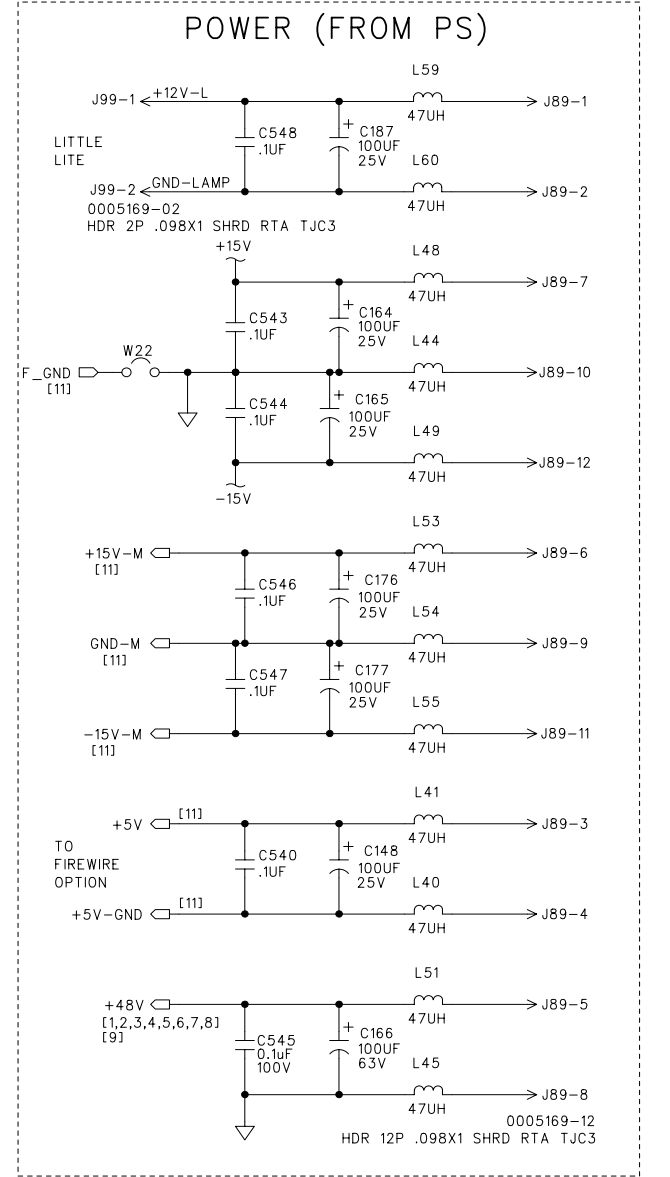
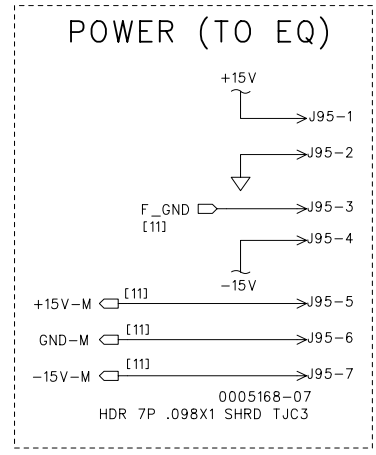
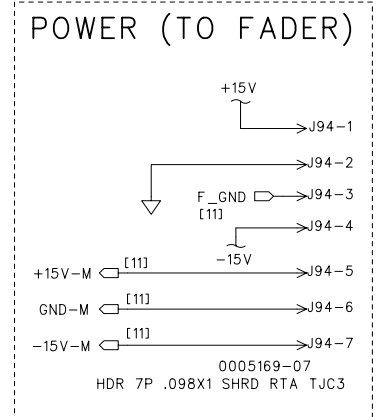
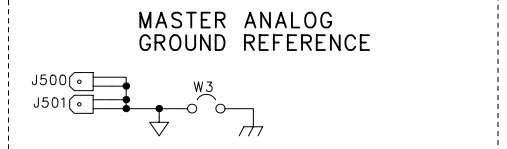
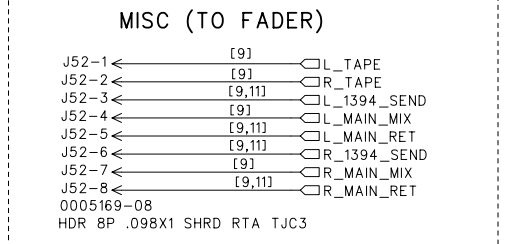
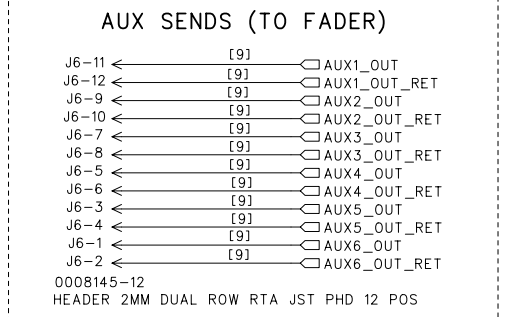
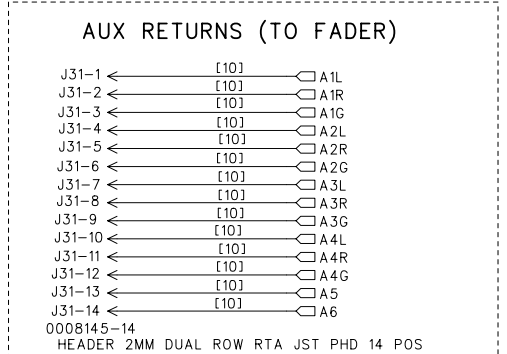
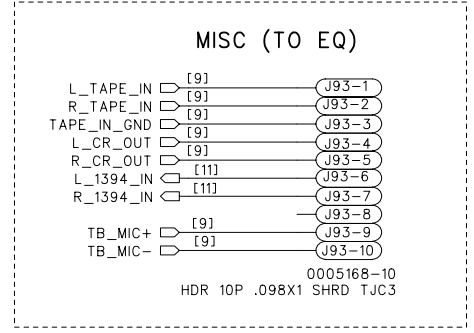
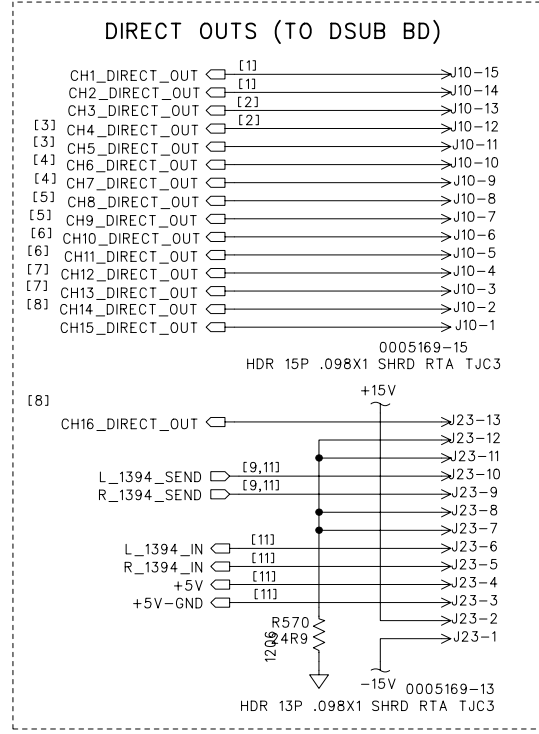
1



MACKIE
Mackie Designs Inc. Woodinville, Wa.

SCHMATIC, ONYX 1640
POD, AUX RETURNS

SIZE: D	SCALE: NONE	DWG. NO.: 0007959-00	REV.: C00
DWG FILE:		SHEET 10 OF 11	



PCB1
PCB, ONYX 1640 POD
0007958-02

MACKIE
Mackie Designs Inc. Woodinville, Wa.

**SCHEMATIC, ONYX 1640
POD INTERCONNECT**

SIZE: D	SCALE: NONE	DWG. NO.: 0007959-00	REV. C00
DWG FILE:		SHEET 11 OF 11	